



Properties

- Ø30 mm housing
- 15 mm, flush mountable
- DC, 3-wire switching output
- Cable and connector versions

Technical Data

For detailed data and product description refer to the data sheets at www.pepperl-fuchs.com

General Data

Rated operating distance	15 mm
Installation	flush
Type of voltage	DC
Operating voltage	10 ... 30 V
No-load supply current	≤ 15 mA
Reverse polarity protection	✓
Switching frequency	0 ... 200 Hz
Short-circuit protection	pulsing
Indication of the switching state	LED, yellow
Housing material	brass, nickel-plated
Protection degree	IP67

Model Number

Switching element function	green = preferred type						
	NPN NO	●	●	●	●	●	●
	PNP NO						
	PNP NC		●		●		●
Operating current	0 ... 100 mA	●	●		●	●	
	0 ... 200 mA			●	●		●
Ambient temperature	-25 ... 70 °C (-13 ... 158 °F)	●	●	●	●		
	-40 ... 70 °C (-40 ... 158 °F)					●	●
Connection type	Device connector M12 x 1, 4-pin	●	●	●	●	●	●
	cable PVC, 2 m	●	●	●	●		

Approvals and Certificates

UL approval	cULus Listed, General Purpose	●	●	●	●	●	●	●
CSA approval	cCSAus Listed, General Purpose	●	●	●	●	●	●	●
CCC approval	Products with a maximum operating voltage of ≤36 V do not bear a CCC marking because they do not require approval.							

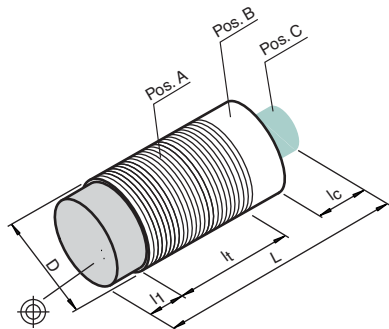
Dimensions

Length L [mm]	30	50	45	65
Diameter D [mm]			30	
Thread length l _t [mm]	27	47	30	50
Cap length l ₁ [mm]			0	
Connector area l _c [mm]		0		15
LED position			Pos. C	

Accessories

This and more accessories can be found in chapter 10
See pages from 972 ... for cordsets See pages 1068 ... for mounting aids

- BF 30** Mounting flange, 30 mm
- EXG-30** Quick mounting bracket with dead stop
- V1-G-BK** 4-pin, M12 female field-attachable connector
- BF 30-F** Mounting flange with dead stop, 30 mm
- V1-W-BK** 4-pin, M12 female field-attachable connector
- V1-G-2M-PUR** Cable socket, M12, 4-pin, PUR cable
- V1-W-2M-PUR** Cable socket, M12, 4-pin, PUR cable



Electrical Connection

NBB15-30GM50-E0

NBB15-30GM30-E2
NBB15-30GM50-E2

NBB15-30GM50-E0-V1

NBB15-30GM30-E2-V1
NBB15-30GM50-E2-V1

NBB15-30GM30-E3

NBB15-30GM30-E3-V1

Wire colors in accordance with EN 60947-5-2

1	BN	(brown)
2	WH	(white)
3	BU	(blue)
4	BK	(black)



Technical Data

For detailed data and product description refer to the data sheets at www.pepperl-fuchs.com

General Data

Rated operating distance	15 mm
Installation	flush
Type of voltage	DC
Operating voltage	10 ... 30 V
No-load supply current	≤ 25 mA
Reverse polarity protection	✓
Switching frequency	0 ... 200 Hz
Operating current	0 ... 200 mA
Short-circuit protection	pulsing
Indication of the switching state	LED, yellow
Housing material	brass, nickel-plated
Protection degree	IP67

Properties

- Ø30 mm housing
- 15 mm, flush mountable
- DC, 4-wire switching output
- Cable and connector versions

Model Number

			green = preferred type		
Switching element function	NPN	NO/NC	●	●	●
	PNP	NO/NC		●	●
Ambient temperature	-25 ... 70 °C (-13 ... 158 °F)		●	●	●
	-40 ... 70 °C (-40 ... 158 °F)				●
Connection type	Device connector M12 x 1, 4-pin		●	●	●
	cable PVC, 2 m				●

Approvals and Certificates

UL approval	cULus Listed, General Purpose	●	●	●	●
CSA approval	cCSAus Listed, General Purpose	●	●	●	●
CCC approval	Products with a maximum operating voltage of ≤36 V do not bear a CCC marking because they do not require approval.				

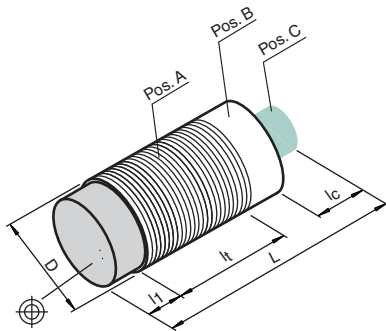
Dimensions

Length L [mm]	60	70
Diameter D [mm]		30
Thread length l _t [mm]	57	60
Cap length l ₁ [mm]		0
Connector area l _c [mm]	0	10
LED position	Pos. C	Pos. A

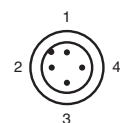
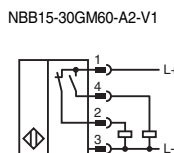
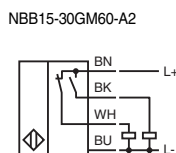
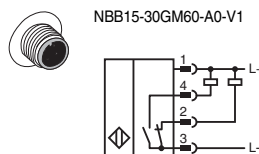
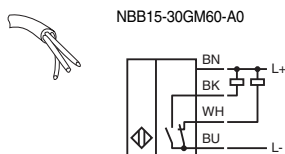
Accessories This and more accessories can be found in chapter 10

See pages 972 ... for cordsets See pages 1068 ... for mounting aids

BF 30	Mounting flange, 30 mm
EXG-30	Quick mounting bracket with dead stop
V1-G-BK	4-pin, M12 female field-attachable connector
V1-W-BK	4-pin, M12 female field-attachable connector
V1-G-2M-PUR	Cable socket, M12, 4-pin, PUR cable
V1-W-2M-PUR	Cable socket, M12, 4-pin, PUR cable



Electrical Connection



Wire colors in accordance with EN 60947-5-2

- 1 | BN (brown)
- 2 | WH (white)
- 3 | BU (blue)
- 4 | BK (black)

Date of issue 04/08/2015

Refer to "General Notes Relating to Pepperl+Fuchs Product Information".

Pepperl+Fuchs Group
www.pepperl-fuchs.com

USA: +1 330 486 0001
fa-info@us.pepperl-fuchs.com

Germany: +49 621 776 4411
fa-info@de.pepperl-fuchs.com

Singapore: +65 6779 9091
fa-info@sg.pepperl-fuchs.com

Courtesy of Steven Engineering, Inc - (800) 258-9200 - sales@steveng.com - www.stevenengineering.com